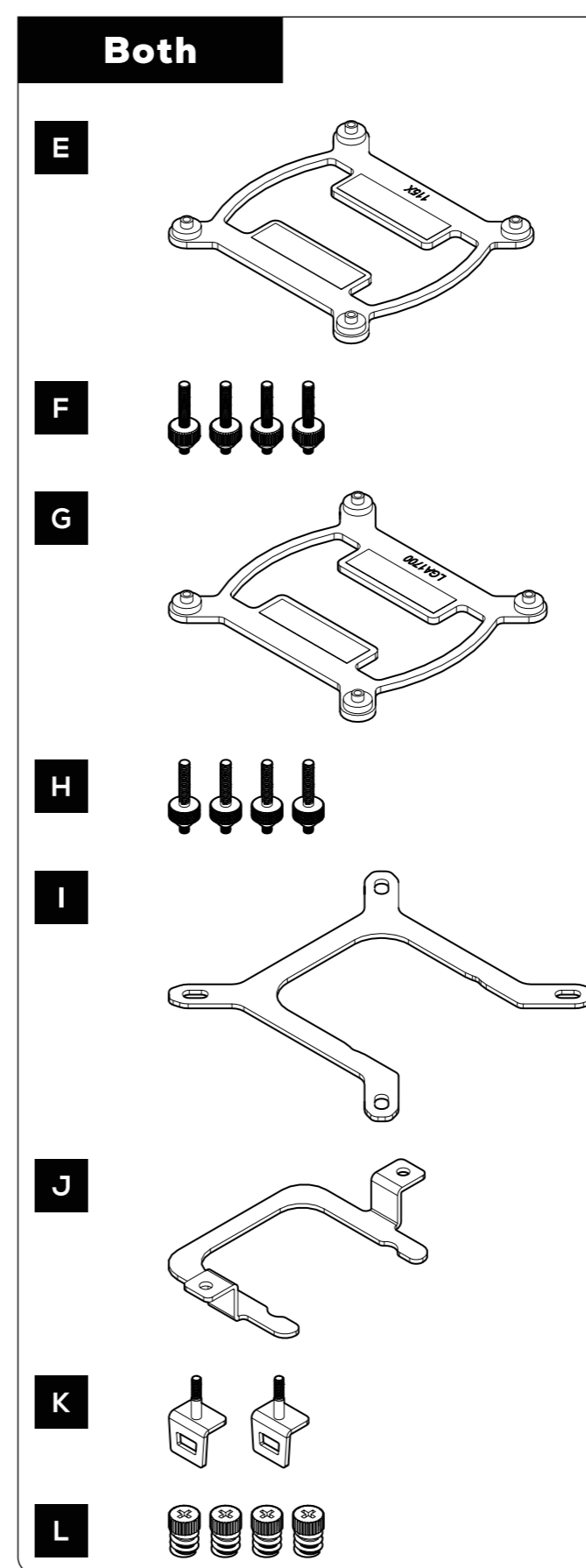
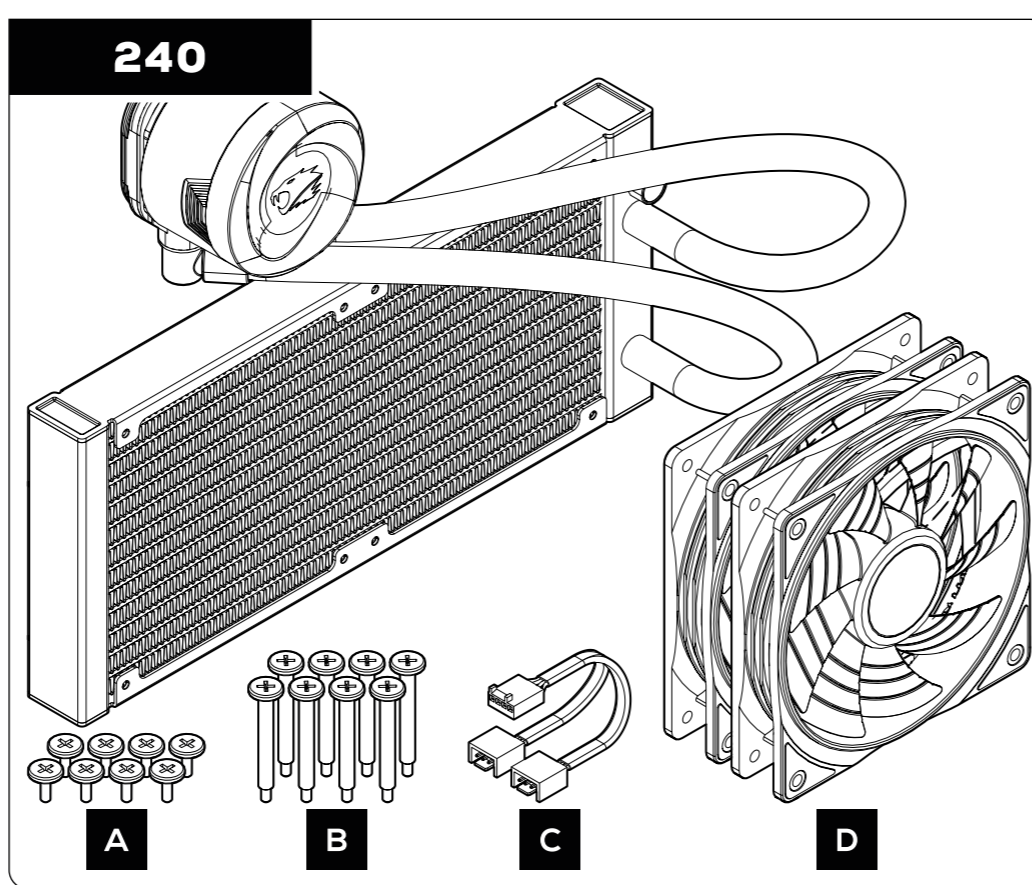




## AW4 AIO Liquid Cooler



## Warranty Statement

iBUYPOWER warrants this product and its parts against defects in materials or workmanship for the period specified in the warranty included with the purchase from the original date of invoice. During this period, iBUYPOWER will replace defective products with new or reconditioned models at iBUYPOWER option, without charge to you. All original products replaced by iBUYPOWER or its authorized service centers, become the property of iBUYPOWER. You are responsible for the payment, at current rates, for any service or repair outside the scope of this limited warranty.

iBUYPOWER, makes no other warranty, either express or implied, including but not limited to an implied warranties of merchantability, fitness for a particular purpose, or conformity to any representation or description, with respect to this product other than as set forth below. iBUYPOWER makes no warranty or representation, either express or implied, with respect to any other manufacturer's product or documentation, its quality, performance, merchantability, fitness for a particular purpose, or conformity to any representation or description.

Except as provided below, iBUYPOWER is not liable for any loss, cost, expense, inconvenience or damage that may result from use or inability to use the product. Under no circumstances shall iBUYPOWER be liable for any loss, cost, expense, inconvenience or damage exceeding the purchase price of the product.

The warranty and remedies set forth below are exclusive and in lieu of all others, oral or written, expressed or implied. No reseller, agent or employee is authorized to make any modification, extension or addition to this warranty.

## Warranty Conditions

The above Limited Warranty is subject to the following conditions:

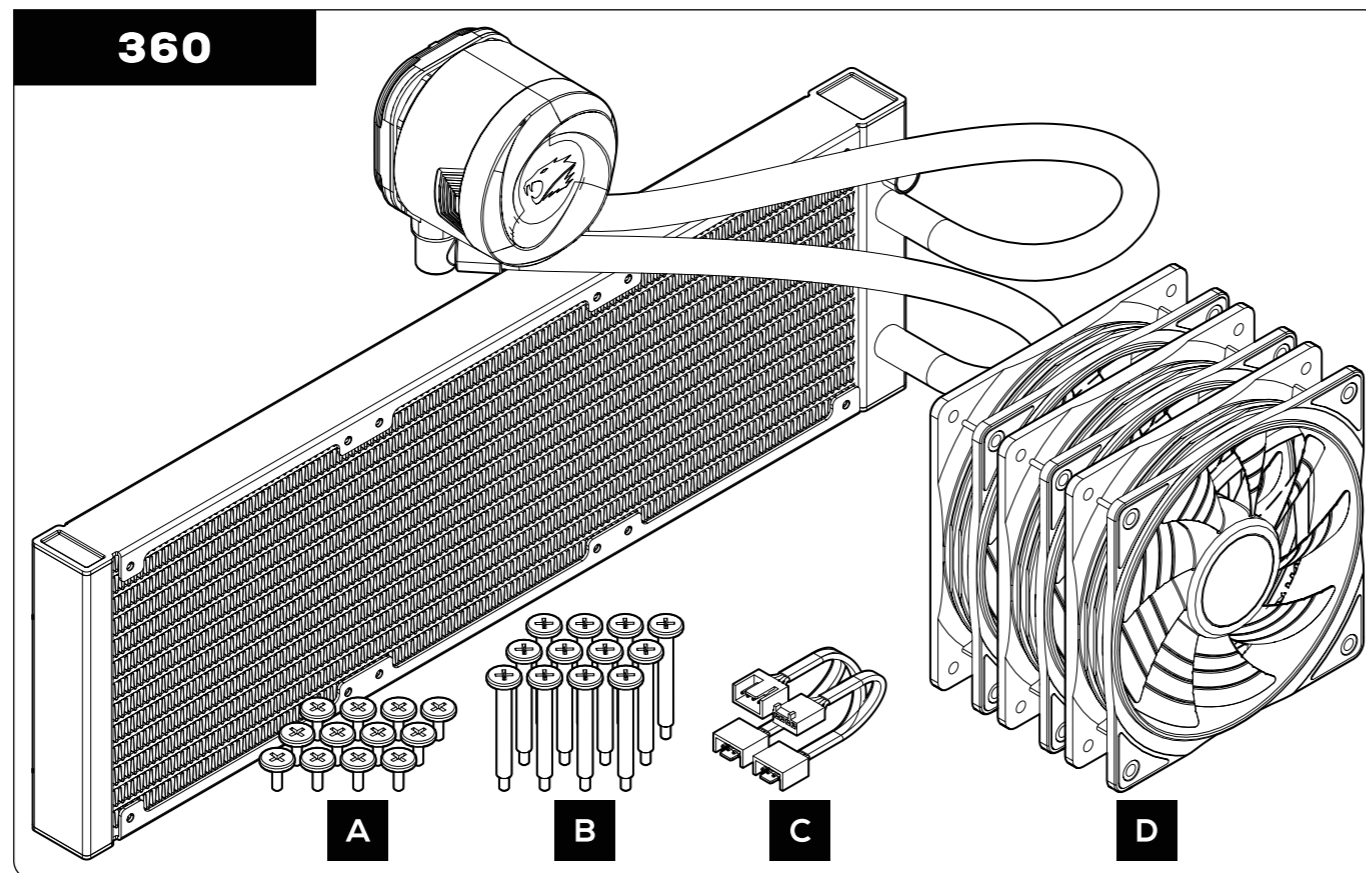
1. This warranty extends only to products distributed by iBUYPOWER is effective only if the products are purchased and operated in the USA and Canada. (Within the USA including US 48 States, Alaska and Hawaii.)
2. This warranty covers only normal use of the product. iBUYPOWER shall not be liable under this warranty if any damage or defect results from (i) misuse, abuse, neglect, improper shipping or installation; (ii) disasters such as fire, flood, lightning or improper electric current; (iii) service or alteration by anyone other than an authorized iBUYPOWER representative; or (iv) normal wear and tear
3. You must retain your bill of sale or other proof of purchase to receive warranty service.
4. The product's serial number must be untampered with and clearly identifiable.
5. No warranty extension will be granted for any replacement part(s) furnished to the purchaser in fulfillment of this warranty.
6. This warranty does not cover any third party software or virus related problems.
7. iBUYPOWER makes no warranty either expressed or implied regarding third-party (non-iBUYPOWER) software.

Support:

- Our Web address: [www.ibuypower.com](http://www.ibuypower.com)
- E-mail for Customer Support: [support@ibuypower.com](mailto:support@ibuypower.com)
- Customer Support Phone#: (888)462-3899

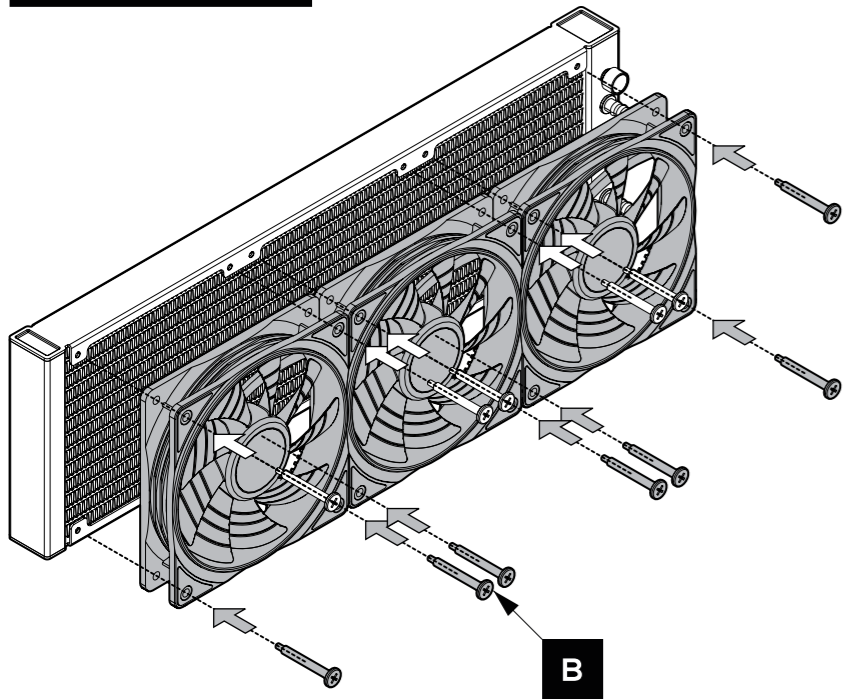
## Packaged Contents

- A Radiator Screws
- B Fan Screws
- C Splitter Cable
- D Fans
- E LGA115x/1200 Backplate
- F LGA115x/1200 Standoffs
- G LGA1700 Backplate
- H LGA1700 Standoffs
- I Intel Bracket
- J AMD Bracket
- K AMD Side Buckles
- L Spring Nuts

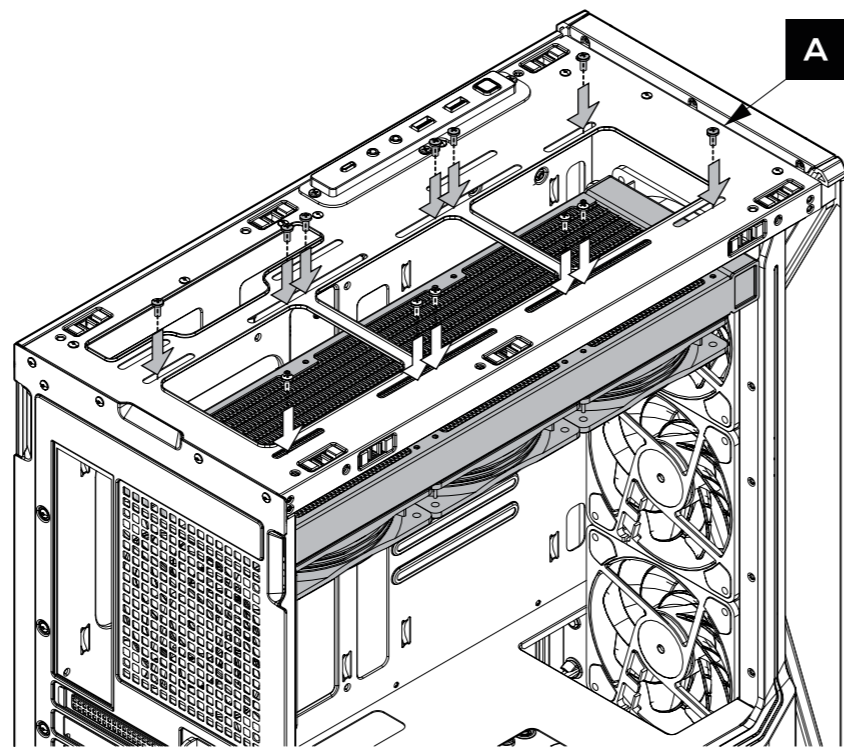




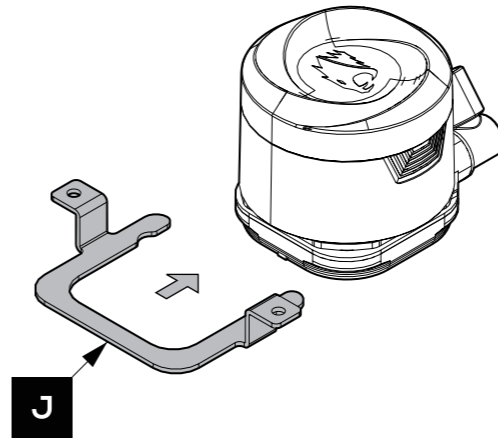
**A1**



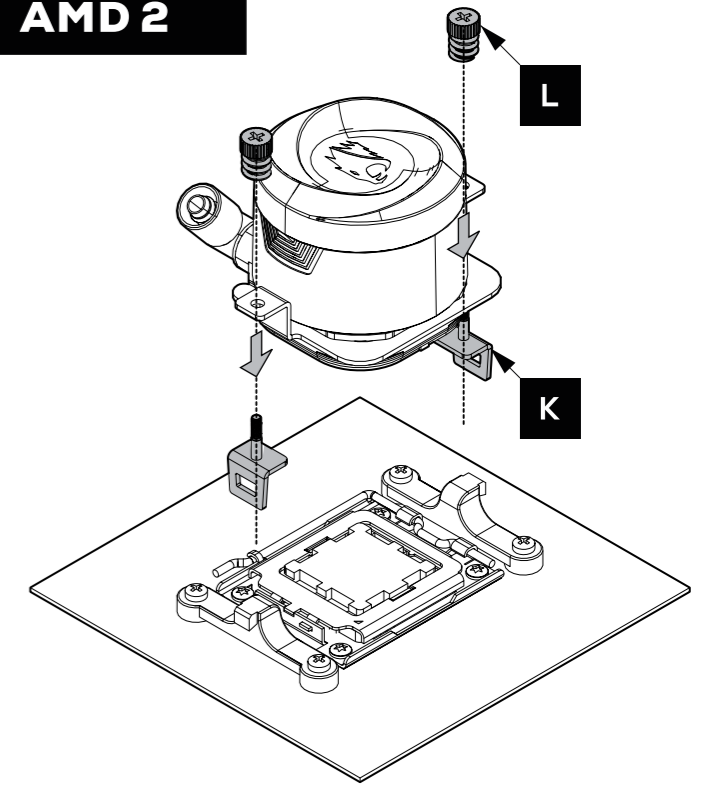
**A2**



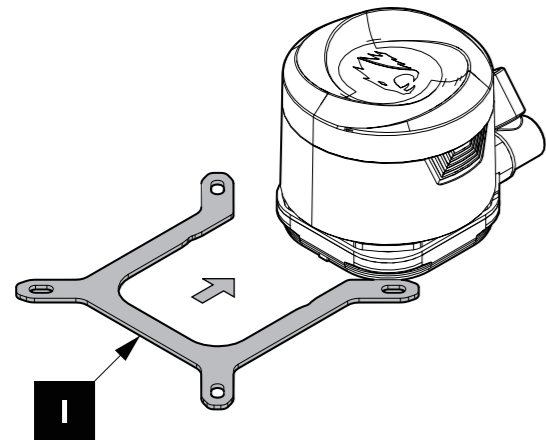
**AMD 1**



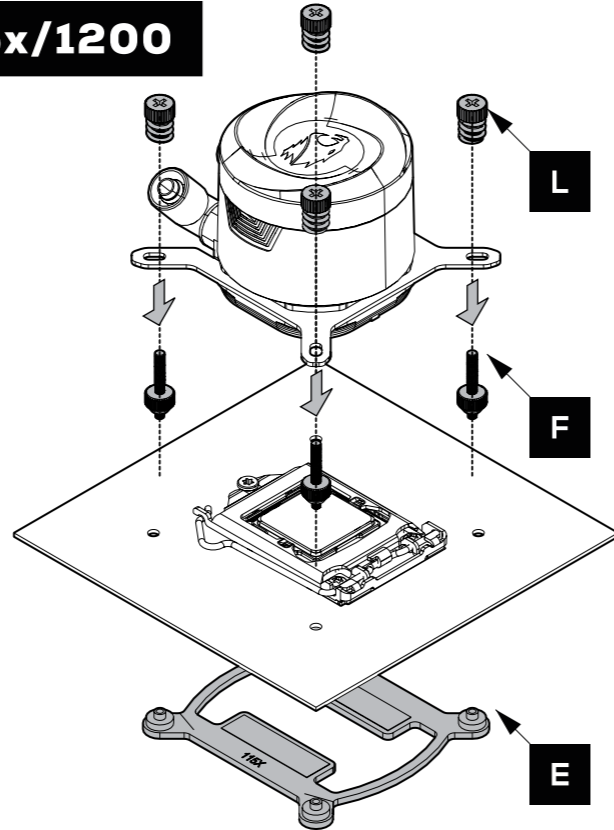
**AMD 2**



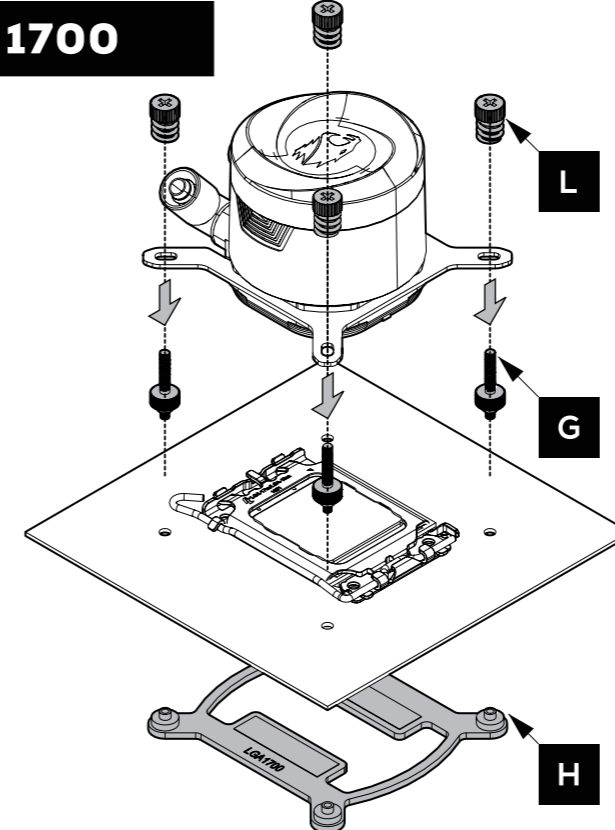
**Intel**



**115x/1200**



**1700**



**B1**

